

# MODEL HT

# PARTS LIST



## YORK RAKES

A division of YORK MODERN CORPORATION

P.O. Box 488, Unadilla, N.Y. 13849 Phone: 1-800-643-YORK FAX: 607-369-2625  
Phone: 607-369-7111 E-Mail: sales@yorkmodern.com Web: www.yorkmodern.com

### Model HT Parts List

Ref. No.	Part No.	Description	Required
1	890110	Pole Hitch	(2)
2	PF3555	Capscrew (1/2" x 2-1/4" NC); S/L Nut	
3	990230	Pole	
4	PF3596	Capscrew (1" x 5-1/2" NC); S/L Nut	
5	999161	Pole Jack	
6	991601	Support Link	
7	PF3573	Capscrew (5/8" x 2-1/4" NC); S/L Nut	(2)
8	991570	Crank	
9	PF3571	Capscrew (5/8" x 1-3/4" NC); S/L Nut	(2)
10	991581	Crank Pin	
11	PP4244	Cotter Pin	(2)
12	991611	Ratchet Jack	
13	PP4854	Clevis Pin	(4)
14	PP4853	Clevis Pin Clip	(4)
15	991623	Arm	
16	991681	Linking Block	
17	991675	Female Rod	
18	PF3579	Capscrew (5/8" x 3-3/4" NC); S/L Nut	
19	PF3540	Capscrew (3/8" x 2-1/4" NC); S/L Nut	
20	991660	Male Rod	
21	PP8648	Flat Washer, 3/4"	
22	PP4244	Cotter Pin	
16-22	991690	Rod Assembly Complete	
23	993010	Main Frame	
24	PF3584	Capscrew (5/8" x 5" NC); S/L Nut	(3)
25	PP5462	S.M.V. Sign	
26	PG3515	Capscrew (1/4" x 2-1/2" NC); S/L Nut; F/W	
27	PF3560	Capscrew (1/2" x 3-1/2" NC); S/L Nut	(2)
28	993011	Spindle	(2)
29	PP4788	Grease Seal	(2)
30	PP2263	Inside Cone Bearing	(2)
31	PP9265	Hub with Cup Bearing	(2)
N/S	PP2262	Inside Cup Bearing	(2)
N/S	PP2218	Outside Cup Bearing	(2)
32	PP2219	Outside Cone Bearing	(2)
33	PP9262	Outside Dust Seal	(2)
34	PP5665	Slotted Nut, 3/4"	(2)
35	PP4234	Cotter Pin	(2)
36	899140	Wheel w/Tire	(2)
37	PP9263	Hub Bolts	(8)
38	PP9254	Hub Cap	(2)
N/S	PP7812	Tire Only (6.70 x 15) 4 ply	(2)
N/S	PP9266	Valve Stem	(2)
N/S	PP9264	Wheel Only (15 x 4.50) 4 Bolt	(2)
39	991560	Drawbar	
40	900601	Swivel Pin	
41	991554	Angle Bracket	
42	900402	Special Washer	
43	PP5570	Slotted Nut, 1-1/2"	(2)
44	PP4260	Cotter Pin	(2)
24, 40, 42-44	900620	Swivel Pin Complete	
45	471401	Center Pin	
46	PG3560	Capscrew (1/2" x 3-1/2" NC); S/L Nut; F/W	
47	PP8653	Flat Washer, 1-1/2"	
43-47	471420	Center Pin Complete	
48	991550	Swivel	
49	540510	Angle Locking Pin	(2)
50	091211	Lift Lever Only	
51	091201	Handle	
52	091202	Lift Lever Latch	
53	PP4248	Cotter Pin	

# MODEL HT

# PARTS LIST



## YORK RAKES

A division of YORK MODERN CORPORATION

P.O. Box 488, Unadilla, N.Y. 13849 Phone: 1-800-643-YORK FAX: 607-369-2625

Phone: 607-369-7111 E-Mail: sales@yorkmodern.com Web: www.yorkmodern.com

### Model HT Parts List

Ref. No.	Part No.	Description	Required
54	P03306	Machine Screw (1/16" x 1-1/4" NC); S/L Nut	(4)
55	091212	Plunger Housing	
56	023006	Plunger Spring	
57	091213	Plunger	
58	091217	Lift Lever Bushing	
59	PP4244	Cotter Pin	
60	091221	Lever Rod	
61	PG3554	Capscrew (1/2" x 2" NC); S/L Nut; F/W	
50-61	091240	Lift Lever and Rod Assembly Complete	
62	991650	Lever Support	
63	991641	Sector	
64	PG3553	Capscrew (1/2" x 1-3/4" NC); S/L Nut; F/W	(2)
65	PP5357	Snap Pin	
66	PF3559	Capscrew (1/2" x 3-1/4" NC); S/L Nut	(2)
67	077150	Saddlebar	
68	PG3557	Capscrew (1/2" x 2-3/4" NC); S/L Nut; F/W	(8)
69	PF3554	Capscrew (1/2" x 2" NC); S/L Nut	(36)
70	077010	Rake Head, 10'	(3)
71	077012	Rake Tooth Spacer	(43)
72	657011	Rake Tooth (5/16" x 1-1/4" x 30")	(44)
67-72	077191	Rake Assembly Complete, 10"	

### Model HT 2' Extension Parts List

1	077210	Rake Heads, 2'	(3)
2	PF3554	Capscrew (1/2" x 2" NC); S/L Nut	(7)
3	657011	Rake Tooth (5/16" x 1-1/4" x 30")	(9)
4	077012	Rake Tooth Spacer, 1-1/2"	(8)
5	PF3587	Capscrew (3/4" x 4" NC); S/L Jam Nut	
6	PP5352	Hitch Pin with Cotter	
7	317130	Female Hinge	(2)
8	PF3558	Capscrew (1/2" x 3" NC); S/L Nut	(4)
9	317060	Male Hinge	(2)
5-9	077230	Extension Hinge Complete	

### Model HT120 Grader Blade

1	308010	Upper Bracket (Left)	
2	PF3556	Capscrew (1/2" x 2-1/2" NC); S/L Nut	(6)
3	PF3557	Capscrew (1/2" x 2-3/4" NC); S/L Nut	(2)
4	308015	Upper Latch (Left)	
5	PP4216	Hairpin Cotter	(2)
6	308025	Lower Latch	(2)
7	PF3539	Capscrew (3/8" x 2" NC); S/L Nut	(2)
1-7	308050	Blade Bracket Complete (Left)	
8	308014	Upper Latch (Right)	
9	308009	Upper Bracket (Right)	
2, 3, 5-9	308049	Blade Bracket Complete (Right)	
10	PM3165	Plowbolt (5/8" x 1-3/4" NC); LW Nut	(12)
11	078180	Moldboard; 10'	
12	PP2990	Serrated Cutting Edge, 10'	
10-12	078290	Moldboard Complete, 10'	

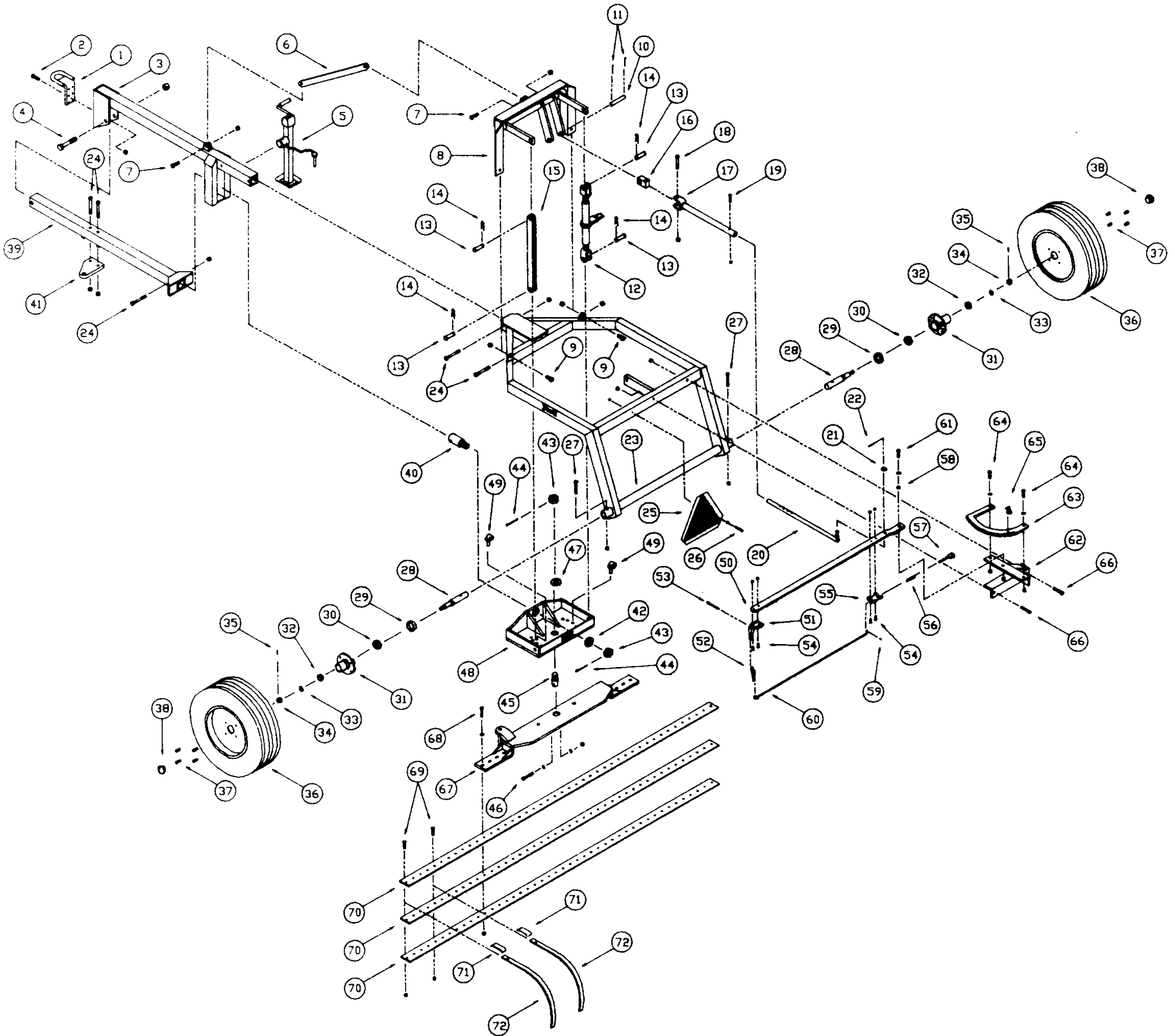
# MODEL HT

# PARTS LIST



## YORK RAKES A division of YORK MODERN CORPORATION

P.O. Box 488, Unadilla, N.Y. 13849 Phone: 1-800-643-YORK FAX: 607-369-2625  
Phone: 607-369-7111 E-Mail: sales@yorkmodern.com Web: www.yorkmodern.com



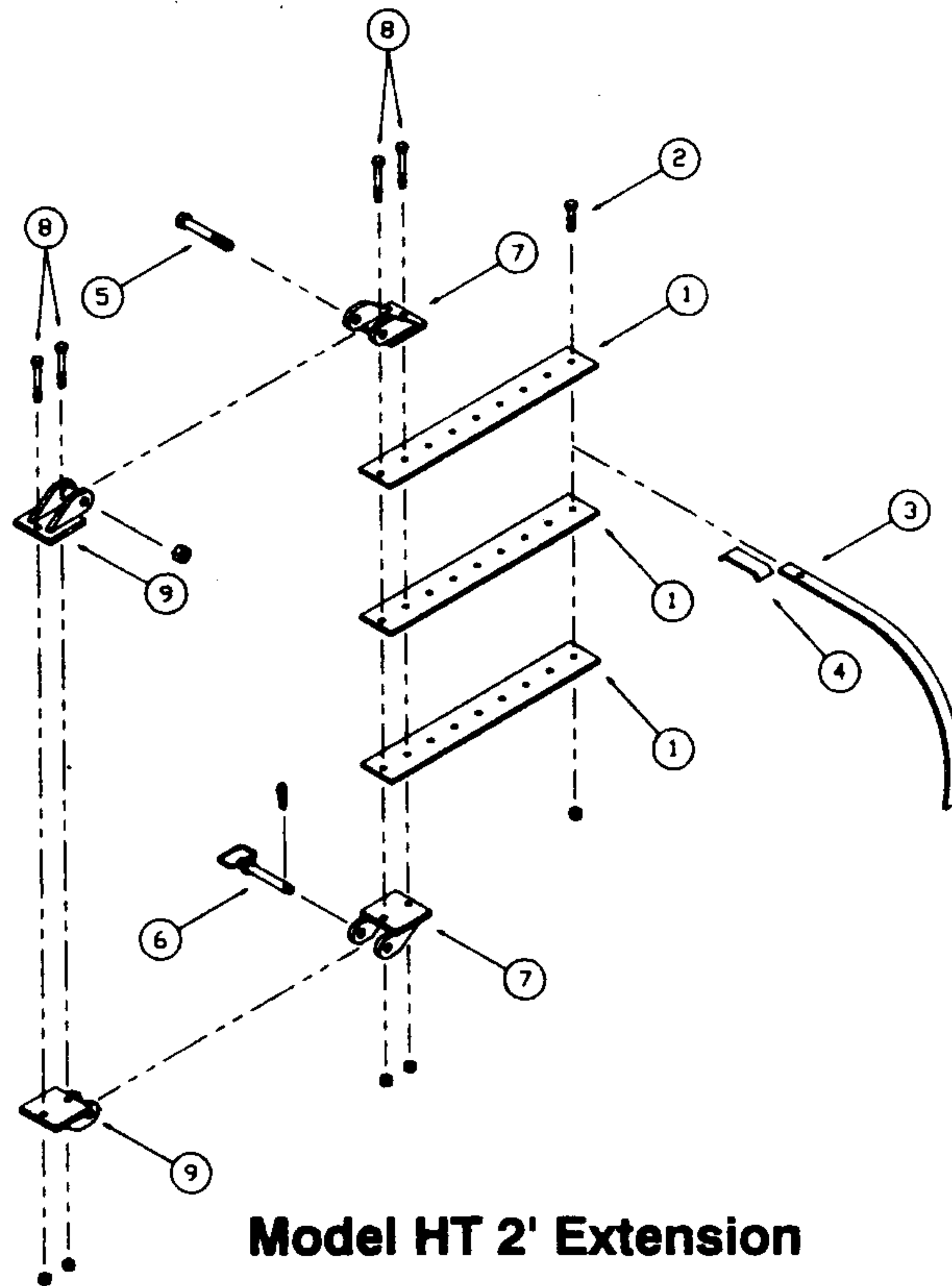
# MODEL HT

# PARTS LIST

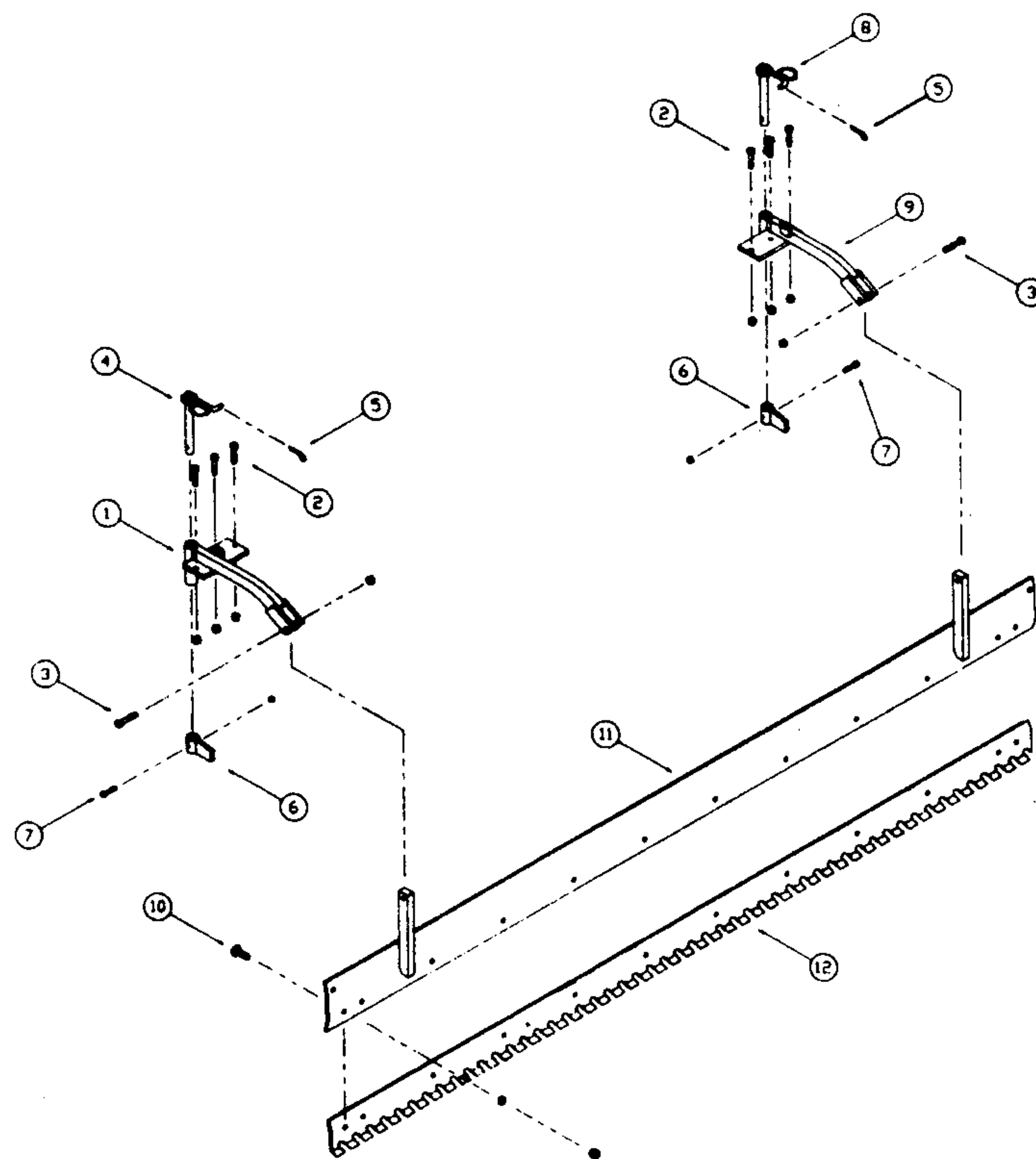


## YORK RAKES A division of YORK MODERN CORPORATION

P.O. Box 488, Unadilla, N.Y. 13849 Phone: 1-800-643-YORK FAX: 607-369-2625  
Phone: 607-369-7111 E-Mail: sales@yorkmodern.com Web: www.yorkmodern.com



**Model HT 2' Extension**



**Model HT 10' Sawtooth Grader Blade**